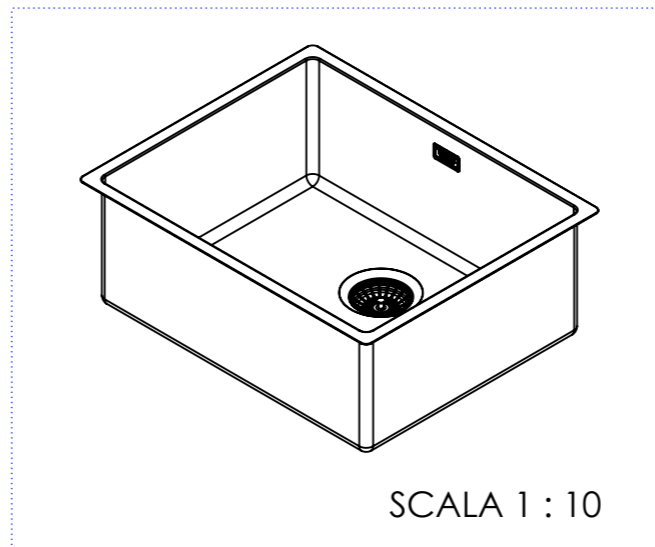
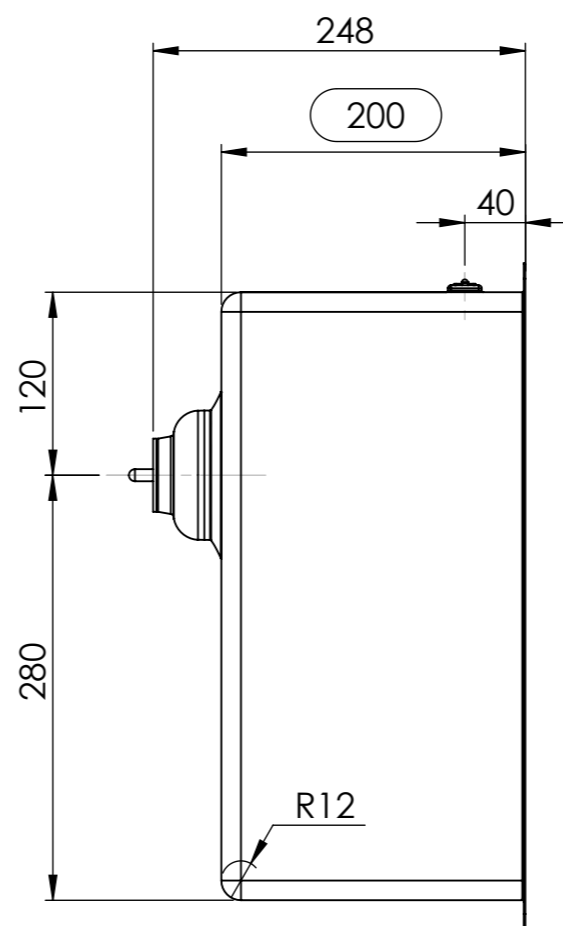
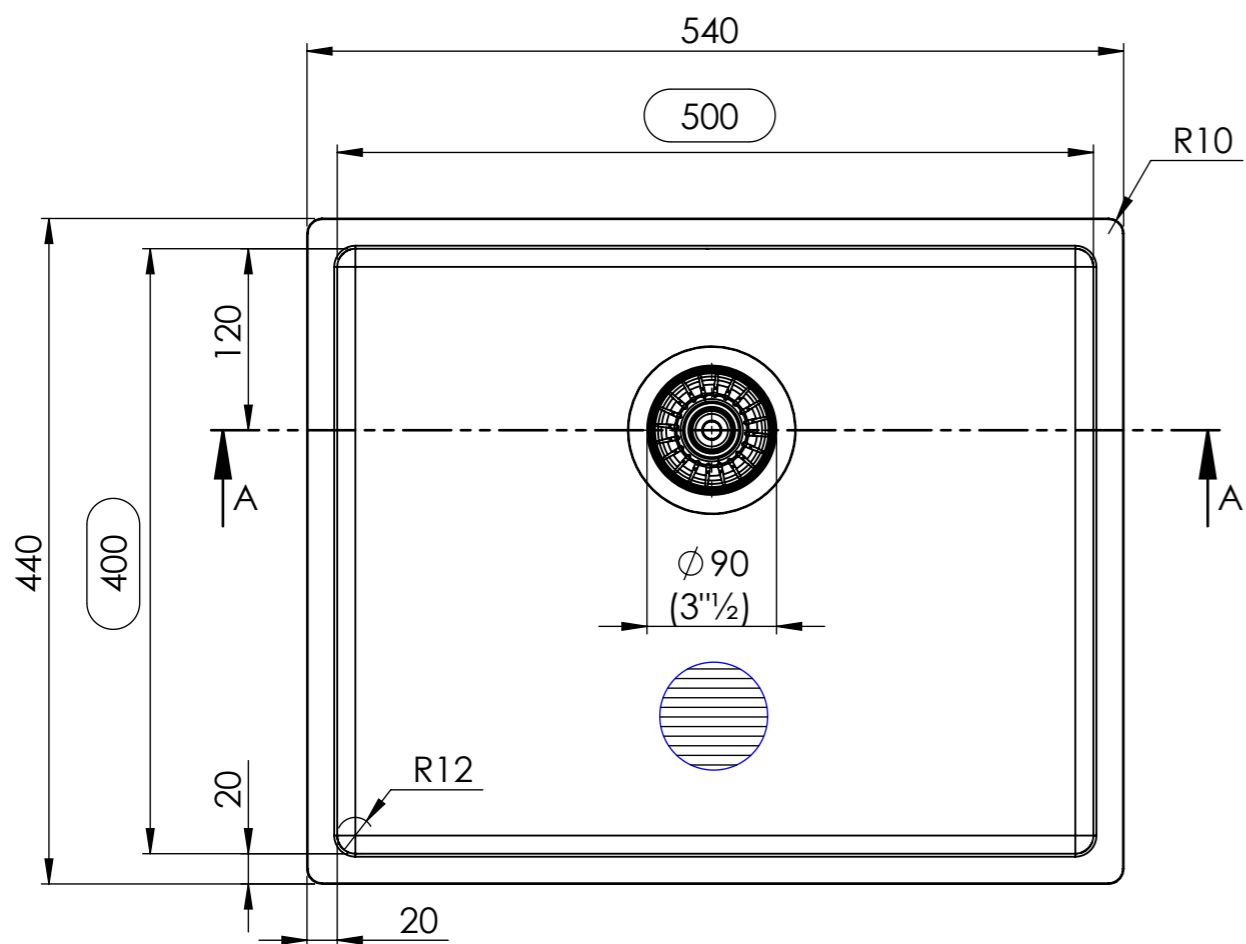


SEZIONE A-A



SCALA 1 : 10



**M12DŘEZ00494**  
CA50-dřez DD54x44 GOLD BA50INT GOLD

TASCA COD. **BA5010G**

---

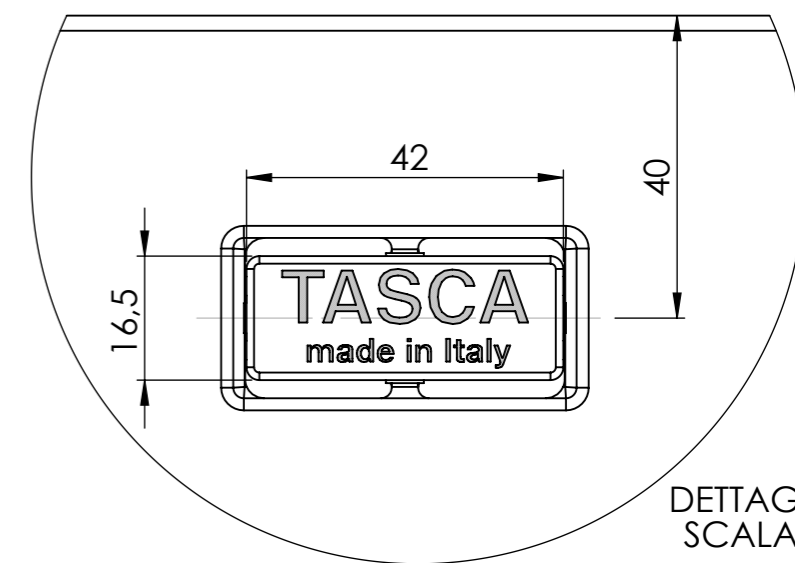
**M12DŘEZ00495**  
CA50-dřez DD54x44 COPPER BA50INT COPPER

TASCA COD. **BA5010Q**

---

**M12DŘEZ00496**  
CA50-dřez DD54x44 GUN METAL BA50INT GUN METAL

TASCA COD. **BA5010P**



DETTAGLIO A  
SCALA 1 : 1

<b>MATERIAL:</b> STAINLESS STEEL AISI 304 Scotch Brite		<b>TREATMENT</b>	
QUOTE SENZA INDICAZIONE DI TOLLERANZA			
mm	da 000 a 6	da 6 a 30	da 30 a 120
			da 120 a 315
			oltre 315
tol	±0.05	±0.1	±0.15
			±0.2
			±0.3
<b>Q.TY'</b>		<b>DESIGNER</b>	ANDREA
<b>SCALE</b>	1:5	<b>DATE</b>	14.10.2020
<b>DESCRIPTION</b>	SINK 50X40X20 - AISI 304 SB - 1B - R12 (20 R10) WA. Ø 90 INT - OV. INT - FM		
<b>ORDER</b>	DESKFORM a.s.		
<b>N. DISEGNO</b>	FRATELLI TASCA cod. <b>CA 50</b>		

