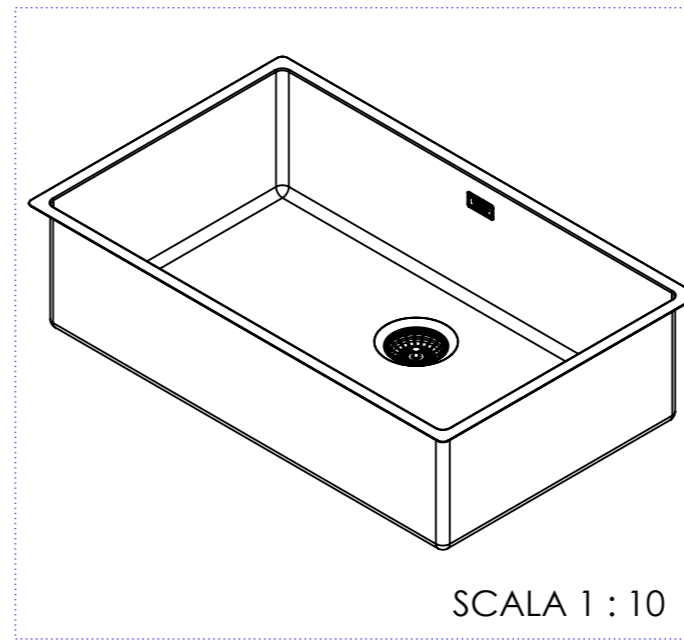
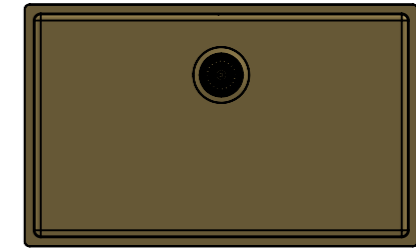


SEZIONE A-A



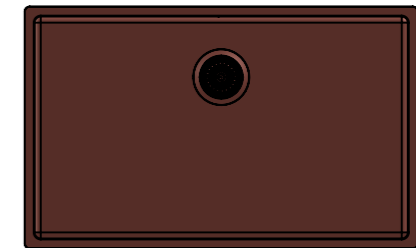
SCALA 1 : 10

M12DŘEZ00510
CA74- Dřez epox 78X48cm GOLD RIMS for topmount



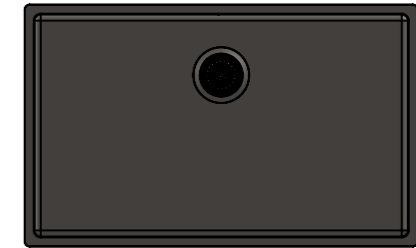
TASCA COD. **BH7410G**

M12DŘEZ00511
CA74- Dřez epox 78X48cm COPPER RIMS for topmount

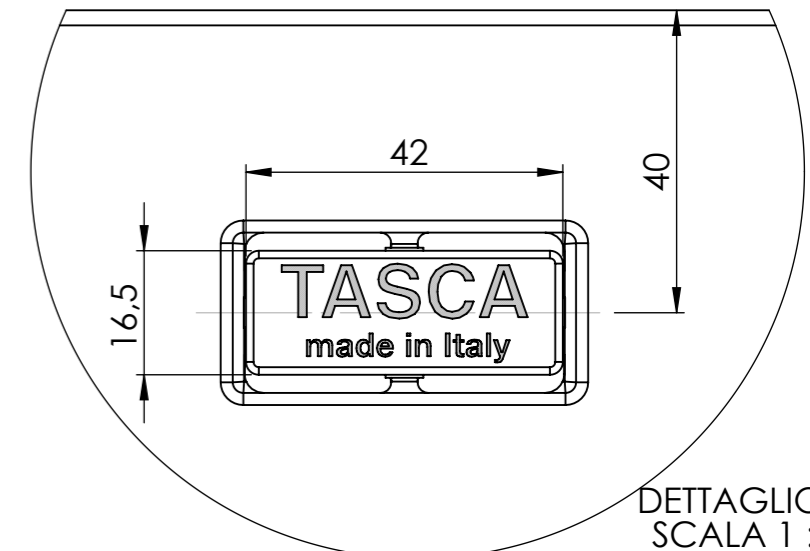
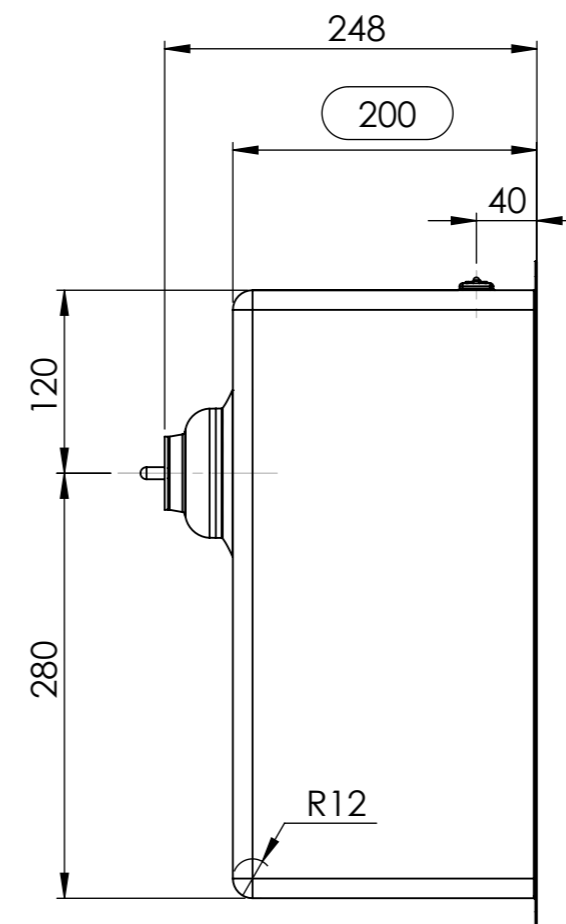
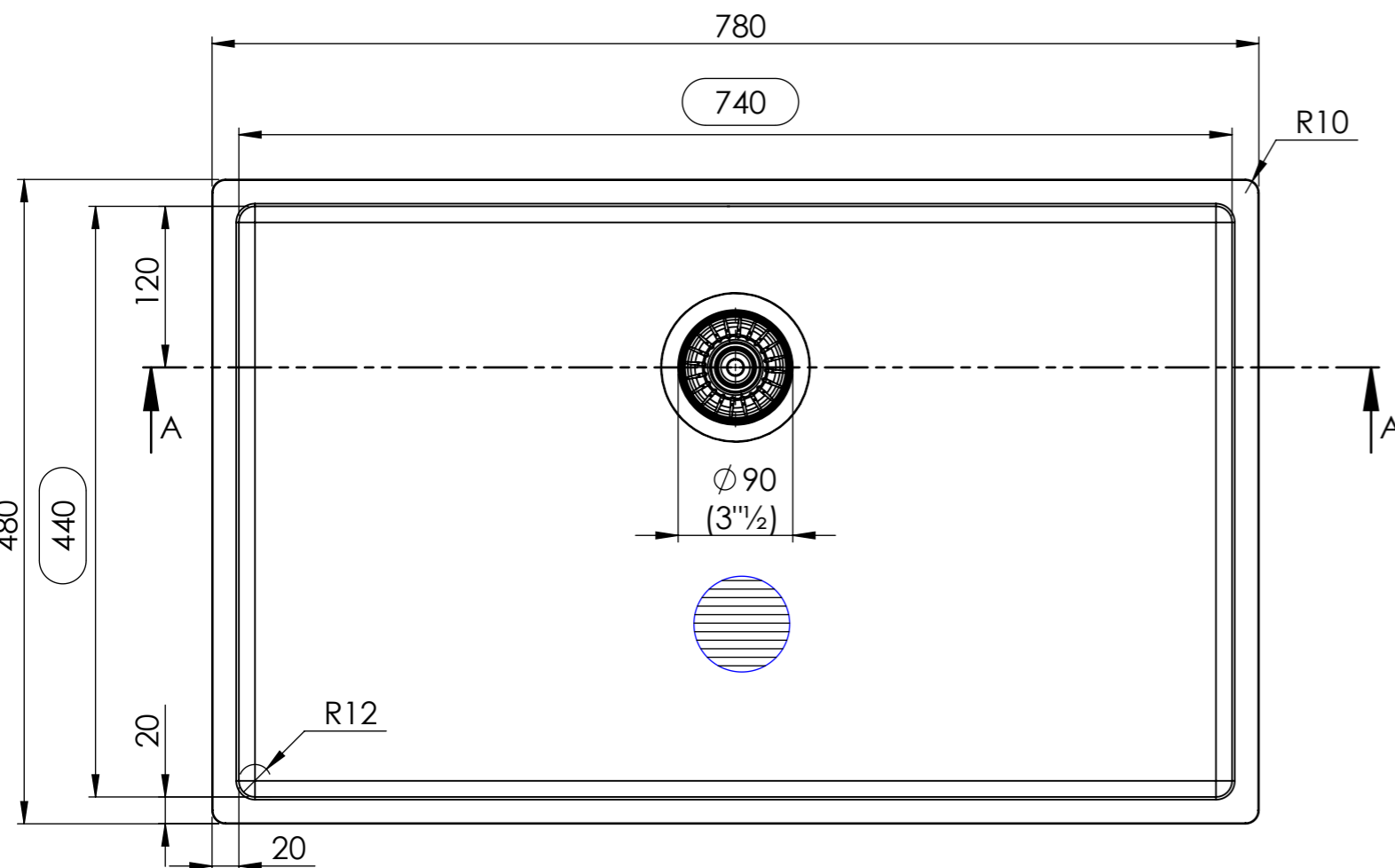


TASCA COD. **BH7410Q**

M12DŘEZ00512
CA74- Dřez epox 78X48cm GUN METAL RIMS for topmount



TASCA COD. **BH7410P**



DETTAGLIO A
SCALA 1 : 1

MATERIAL: STAINLESS STEEL AISI 304 Scotch Brite		TREATMENT	
QUOTE SENZA INDICAZIONE DI TOLLERANZA			
mm	da 000 a 6	da 6 a 30	da 30 a 120
tol	±0.05	±0.1	±0.15
			da 120 a 315
			oltre 315
			±0.2
			±0.3
Q.TY'		DESIGNER	ANDREA
SCALE	1:5	DATE	14.10.2020
DESCRIPTION	SINK 74X44X20 - AISI 304 SB - 1B - R12 (20 R10) WA. Ø 90 INT - OV. INT - FM		
ORDER	DESKFORM a.s.		
N. DISEGNO	FRATELLI TASCA cod. CH 74		

