

M12DŘEZ00507
CA18-dřez square 21x43 GOLD RIMS for topmount

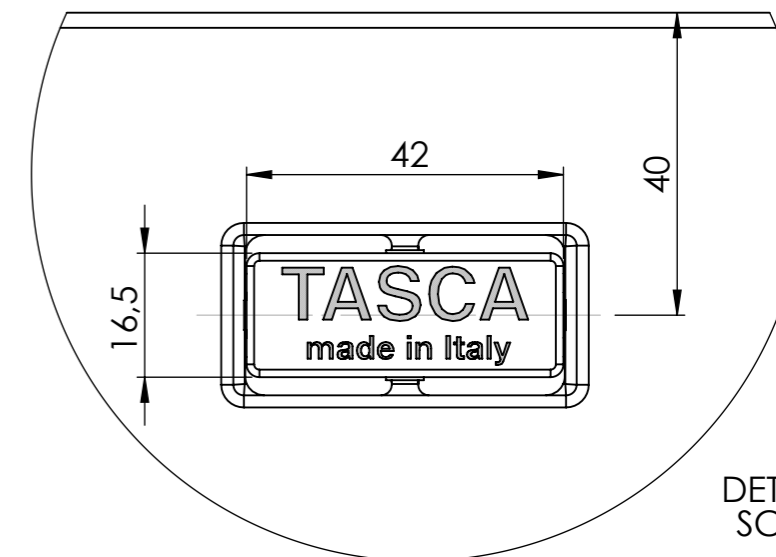
TASCA COD. **BA1810G**

M12DŘEZ00508
CA18-dřez square 21x43 COPPER RIMS for topmount

TASCA COD. **BA1810Q**

M12DŘEZ00509
CA18-dřez square 21x43 GUNMETA RIMS for topmount

TASCA COD. **BA1810P**



MATERIAL: STAINLESS STEEL AISI 304 Scotch Brite					TREATMENT			
QUOTE SENZA INDICAZIONE DI TOLLERANZA					Q.TY'		DESIGNER ANDREA	
mm	da 000 a 6	da 6 a 30	da 30 a 120	da 120 a 315	oltre 315	SCALE	1:5	DATE 14.10.2020
tol	±0.05	±0.1	±0.15	±0.2	±0.3	DESCRIPTION SINK 18X40X17 - AISI 304 SB - 1B - R12 (20 R10) WA. Ø 90 INT - OV. INT - FM		
							ORDER DESKFORM a.s.	
WWW.FRATELLITASCA.IT							N. DISEGNO FRATELLI TASCA cod. CA 18	